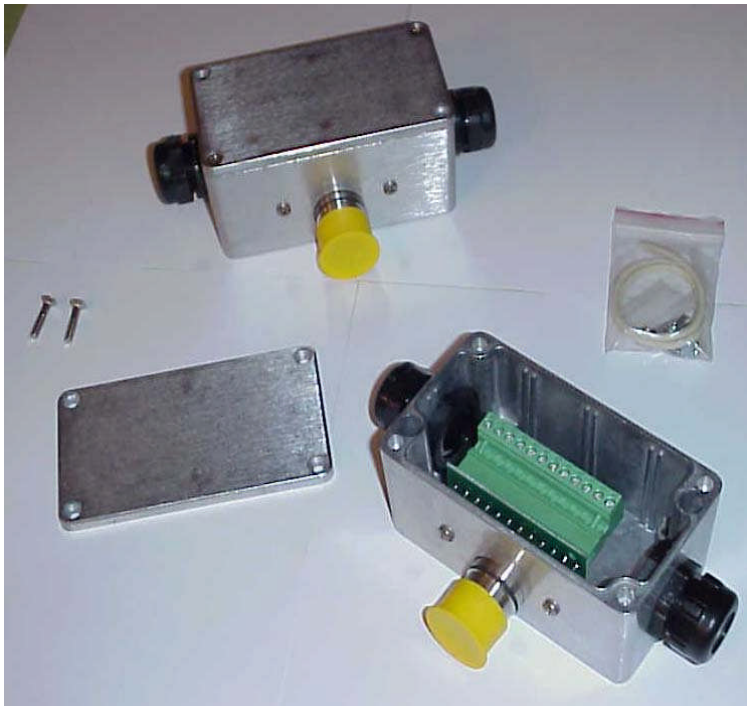


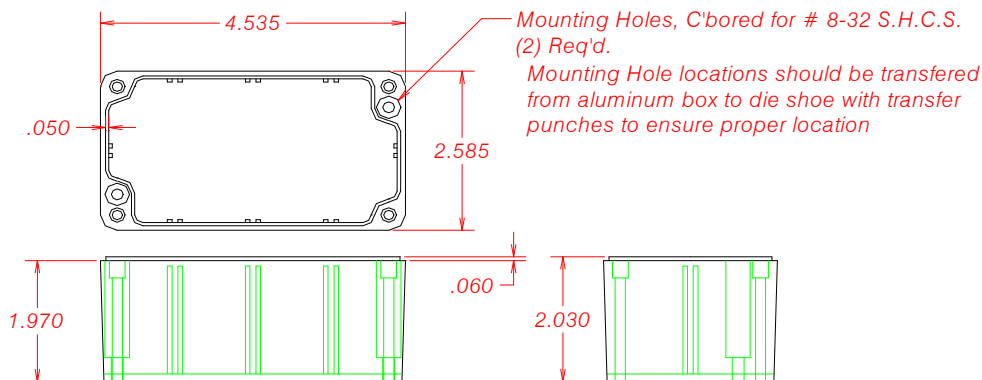
HEAVY DUTY IN HD19-IDB OR QDP-IDB DIE SENSOR INTERCONNECTION BOX DATA SHEET



This product is intended to mount on the die shoe and allow a maximum of eight sensors to wire directly to it. The terminal block on the inside features a removable connector for easy wiring. The external mating connector is compatible with Wintriss HD19 cables for connection to Wintriss DSI2 sensor interface. The cover plate is provided with a urethane rope gasket to protect the wiring from oil. Each end is fitted with a multi conductor cable grip designed to accommodate up to four 4 mm diameter sensor cables. Unused holes may be plugged. Order part # HD19-IDB.

QDP 12 pin version of the interconnection box is also available with lighter duty connector. Compatible with QDP cables. Order part # QDP-IDB

Price each: \$325. Quantity of 5 or more \$275 each. Availability: 1-2 weeks depending on quantity:



*Cast Aluminum Box for HD19 Kit
Comes complete with fasteners to secure
Cover plate to box, and urethane rope gasket to
seal cover plate water/oil tight*