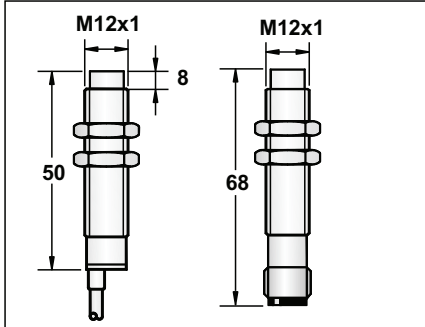


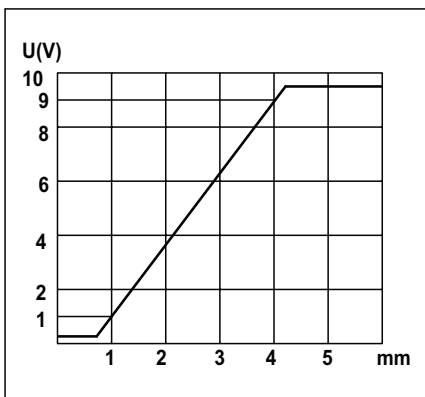
**INDUCTIVE VOLTAGE OUTPUT ANALOG SENSOR**

**INDUCTIVE VOLTAGE OUTPUT ANALOG SENSOR**

M 12
○
1-4 mm
Nickel plated brass
○



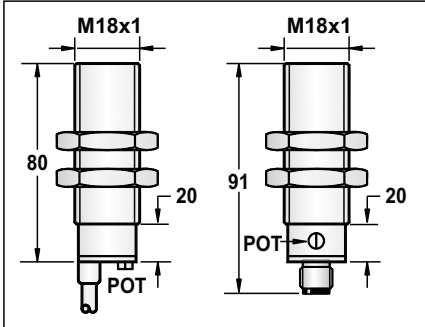
18-30VDC
<10%
<35mA
0-10VDC / ≥2KΩ
-
<5%(Sr)
0.02mm
0 °C-70 °C
5%(Sr)
NO
YES
IP67
PNP-ANALOG
100Hz
-
RFI>3V/m / EFT>1KV / ESD>4KV (contact)
IEC 60947-5-2,Part 7.4.1 / IEC 60947-5-2,Part 7.4.2
PBT



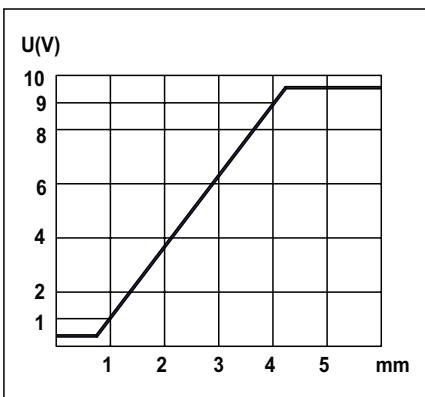
FCM2-1204G-V3U2	20	FCM2-1204G-VRU4


4 φ3x0.15	—
approx.67g	approx.30g

M 18
●
1-4 mm
Nickel plated brass
○



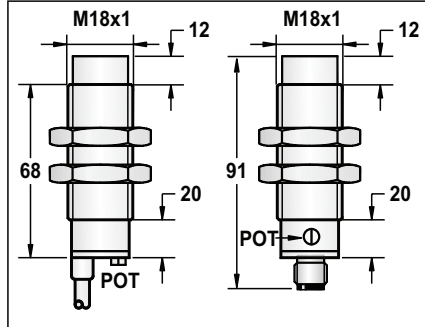
18-30VDC
<10%
15mA
0-10VDC / ≥4.7KΩ
-
<10%(Sr)
0.02mm
0 °C-70 °C
5%(Sr)
NO
YES
IP67
PNP-ANALOG
100Hz
-
RFI>3V/m / EFT>1KV / ESD>4KV (contact)
IEC 60947-5-2,Part 7.4.1 / IEC 60947-5-2,Part 7.4.2
PBT



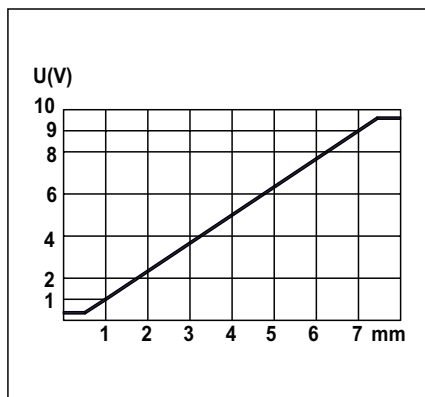
FCM1-1804G-V3U2	20	FCM1-1804G-VRU4


5.8 φ3x0.5	—
approx.142g	approx.60g

M 18
○
1-7 mm
Nickel plated brass
○



18-30VDC
<10%
15mA
0-10VDC / ≥4.7KΩ
-
<10%(Sr)
0.02mm
0 °C-70 °C
5%(Sr)
NO
YES
IP67
PNP-ANALOG
100Hz
-
RFI>3V/m / EFT>1KV / ESD>4KV (contact)
IEC 60947-5-2,Part 7.4.1 / IEC 60947-5-2,Part 7.4.2
PBT



FCM2-1807G-V3U2	20	FCM2-1807G-VRU4


5.8 φ3x0.15	—
approx.142g	approx.60g