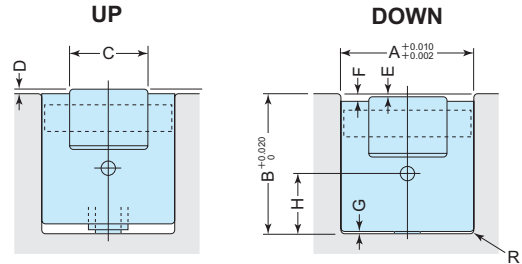
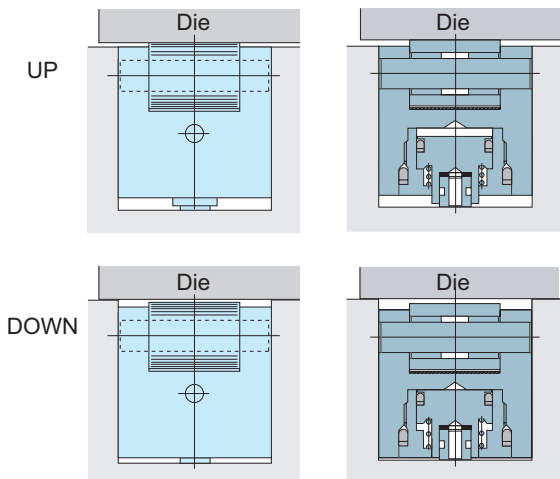
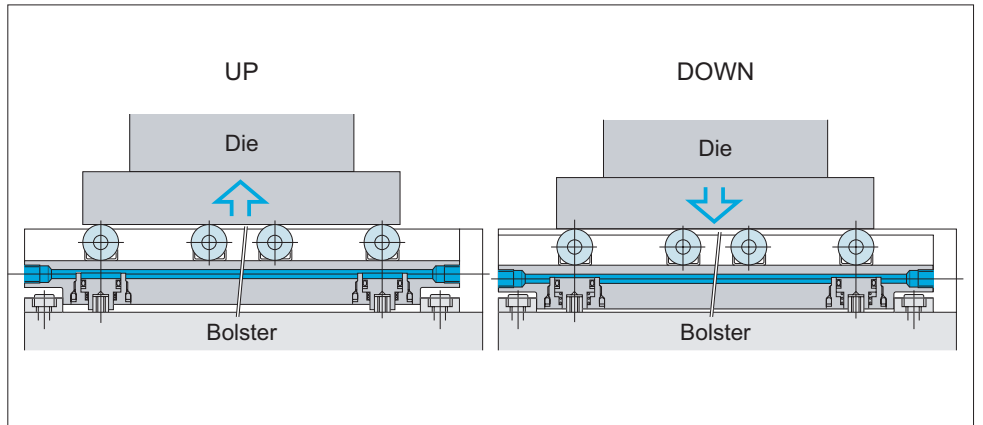
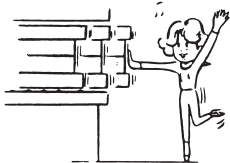
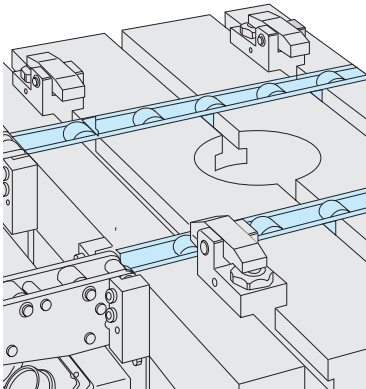
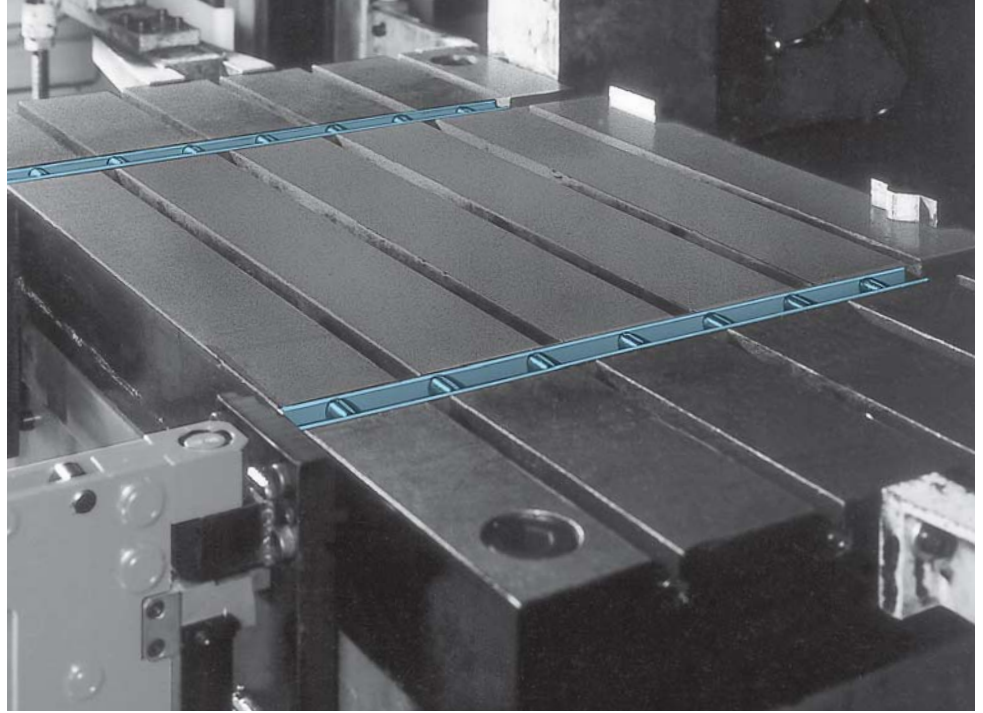


DIE-LIFTER

MODEL **DLF** HYDRAULIC-LIFTING ROLLERS

DLF series hydraulic lifting die rollers are used for heavy die. These powerful hydraulic cylinders have a maximum capacity of lifting force of 7600 lbs per cylinder. The length and number of cylinders are determined by the press bed size. The die can be smoothly rolled with a slight force. Three widths of the standard 3.937 inches increments length can accommodate a wide range of die weights and sizes. Scrapers are provided to wipe dust and chips out of the rollers. DLF series are installed into the U-slot of press bed. Standard lifting stroke of 0.118 inches to 0.157 inches is provided. Other requirements can be provided on special orders.



Model	U-slot Dimension		C	D	E	F	G	H	MAX.R
	A	B							
DLF28	1.102	1.772	0.669	0.079	0.039	0.098	0.020	0.630	R0.039
DLF50	1.969	2.087	1.102	0.079	0.039	0.118	0.039	0.827	R0.079
DLF80	3.150	3.150	2.126	0.118	0.039	0.157	0.039	1.220	R0.079

MODEL AND SPECIFICATION

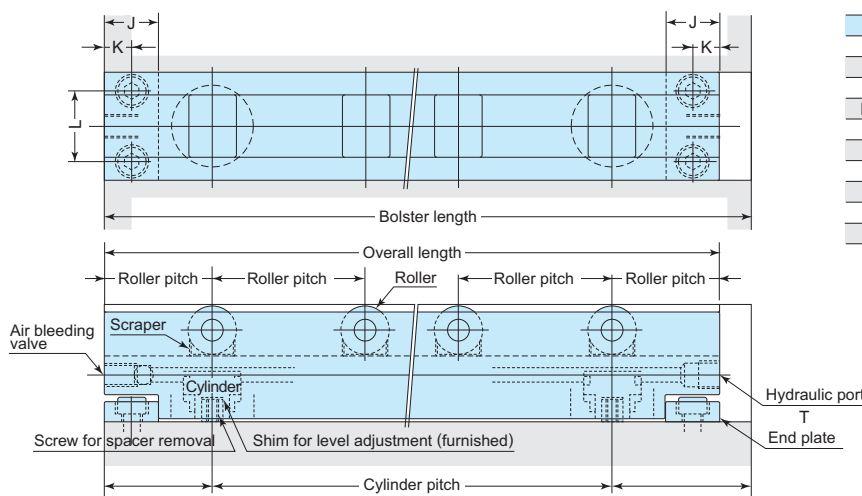
DLF ① ② ③ N: NPT port

- ① Basic Model No.(28, 50, 80)
- ② Specific Feature
Y : Standard H : Heavy Load
- ③ Length

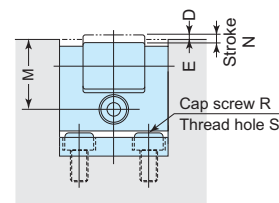
Model	One cylinder capacity	Lifting force per cylinder (at hydraulic pressure 3555 psi)	Stroke	Max. load per roller	Weight per 3.937 inch	
					Y (Standard)	H (Heavy load)
DLF28	0.033 in ³	1000 lbs	0.118 in	220 lbs	1.46 lbs	1.52 lbs
DLF50	0.092 in ³	2700 lbs	0.118 in	420 lbs	3.31 lbs	3.53 lbs
DLF80	0.342 in ³	7600 lbs	0.157 in	1120 lbs	7.94 lbs	8.38 lbs

■ Proof pressure : 5320 psi ■ Working temperature range : 32~158°F

DIMENSIONS (Unit : inch)



	DLF28	DLF50	DLF80
J	0.630	0.984	0.984
K	0.315	0.492	0.492
L	0.591	1.260	1.969
M	1.142	1.260	1.929
N	0.118	0.118	0.157
D	0.079	0.079	0.118
E	0.039	0.039	0.039
R	M6 x 10	M8 x 14	M10 x 20
S	4-M6 depth 0.394	4-M8 depth 0.551	4-M10 depth 0.709
T	NPT1/8	NPT1/4	NPT1/4



Overall Length	inch	11.811	15.748	19.685	23.622	27.559	31.496	35.433	39.370	43.307	47.244	51.181	55.118	59.055	62.992	66.929	70.866					
DLF28Y	A1	3			4			5			6			7			8					
	A2	1.57, 2x4.33, 1.57	1.57, 2x6.30, 1.57	1.57, 2x8.27, 1.57	1.57, 2x10.24, 1.57	1.57, 3x8.15, 1.54	1.57, 3x9.45, 1.57	1.57, 3x10.79, 1.50	1.57, 3x12.08, 1.54	1.57, 4x10.04, 1.57	1.57, 4x11.02, 1.57	1.57, 4x12.01, 1.57	1.57, 4x12.99, 1.57	1.57, 4x13.98, 1.57	1.57, 4x14.96, 1.57	1.57, 4x15.94, 1.57	1.57, 5x13.54, 1.57	1.57, 5x15.53, 1.57				
	A3	3	4	5	6	7	8	9	10	11	12	13	14	15	16	17	18					
	A4	1.97, 2x3.94, 1.97	1.97, 3x3.94, 1.97	1.97, 4x3.94, 1.97	1.97, 5x3.94, 1.97	1.97, 6x3.94, 1.97	1.97, 7x3.94, 1.97	1.97, 8x3.94, 1.97	1.97, 9x3.94, 1.97	1.97, 10x3.94, 1.97	1.97, 11x3.94, 1.97	1.97, 12x3.94, 1.97	1.97, 13x3.94, 1.97	1.97, 14x3.94, 1.97	1.97, 15x3.94, 1.97	1.97, 16x3.94, 1.97	1.97, 17x3.94, 1.97	1.97, 18x3.94, 1.97				
	A5	660	880	1100	1320	1540	1760	1980	2200	2420	2640	2860	3080	3300	3520	3740	3960					
	A6	3000			4000			5000			6000			7000			8000					
DLF28H	A1	4	5	6	7	8	9	10	11	12	13	14	15	16	17	18						
	A2	1.57, 3x2.91, 1.50	1.57, 3x4.17, 1.65	1.57, 4x4.13, 1.57	1.57, 4x5.12, 1.57	1.57, 5x4.88, 1.57	1.57, 6x4.72, 1.57	1.57, 7x5.20, 1.42	1.57, 8x5.04, 1.42	1.57, 8x5.51, 1.57	1.57, 9x5.31, 1.77	1.57, 10x5.20, 1.57	1.57, 10x5.59, 1.57	1.57, 11x5.43, 1.65	1.57, 12x5.31, 1.57	1.57, 12x5.63, 1.73						
	A3	6	8	10	12	14	15	17	19	21	23	25	27	29	31	33	35					
	A4	1.57, 5x1.73, 1.57	1.57, 7x1.77, 1.77	1.57, 9x1.81, 1.81	1.57, 11x1.85, 1.69	1.57, 13x1.85, 1.93	1.57, 14x2.01, 1.81	1.57, 16x2.01, 1.73	1.57, 18x2.01, 1.65	1.57, 20x2.01, 1.57	1.57, 22x1.97, 2.36	1.57, 24x1.97, 2.36	1.57, 26x1.97, 2.36	1.57, 28x1.97, 2.36	1.57, 30x1.97, 2.36	1.57, 32x1.97, 2.36	1.57, 34x1.97, 2.36					
	A5	1320	1760	2200	2640	3080	3300	3740	4180	4620	5060	5500	5940	6380	6820	7260	7700					
	A6	4000			5000			6000			7000			8000			9000					
DLF50Y	A1	3			4			5			6			7			8					
	A2	1.97, 2x5.91, 1.97			1.97, 2x7.87, 1.97			1.97, 2x9.84, 1.97			1.97, 2x11.81, 1.97			1.97, 2x13.78, 1.97			1.97, 3x10.51, 1.93			1.97, 3x11.81, 1.97		
	A3	4			5			6			7			8			9					
	A4	1.97, 3x3.94, 1.97			1.97, 4x3.94, 1.97			1.97, 5x3.94, 1.97			1.97, 6x3.94, 1.97			1.97, 7x3.94, 1.97			1.97, 8x3.94, 1.97					
	A5	1680			2100			2520			2940			3360			3780					
	A6	8100			10800			13500			16200			18900			21600					
DLF50H	A1	3			4			5			6			7			8					
	A2	1.97, 2x5.91, 1.97			1.97, 2x7.87, 1.97			1.97, 3x6.54, 2.05			1.97, 3x7.87, 1.97			1.97, 3x9.17, 2.01			1.97, 4x7.87, 1.97					
	A3	8			10			12			14			16			18					
	A4	1.97, 7x1.65, 2.20			1.97, 9x1.73, 2.13			1.97, 11x1.77, 2.17			1.97, 13x1.81, 2.05			1.97, 15x1.81, 2.26			1.97, 17x1.85, 2.01					
	A5	3360			4200			5040			5880			6720			7560					
	A6	8100			10800			13500			16200			18900			21600					
DLF80Y	A1	2			3			4			5			6			7					
	A2	2.76, 14.17, 2.76			2.76, 18.11, 2.76			2.76, 2x11.02, 2.76			2.76, 2x12.99, 2.76			2.76, 2x14.96, 2.76			2.76, 2x16.93, 2.76					
	A3	3			4			5			6			7			8					
	A4	2.76, 2x7.09, 2.76			2.76, 3x6.02, 2.80			2.76, 4x5.51, 2.76			2.76, 5x5.20, 2.76			2.76, 6x4.96, 2.91			2.76, 7x4.80, 2.98					
	A5	3360			4480			5600			6720			7840			8960					
	A6	15200			22800			30400			38000			45600			53200					
DLF80H	A1	3			4			5			6			7			8					
	A2	2.76, 2x7.09, 2.76			2.76, 2x9.06, 2.76			2.76, 3x7.36, 2.72			2.76, 3x8.66, 2.76			2.76, 4x7.48, 2.76			2.76, 5x7.56, 2.76					
	A3	8			10			11			13			15			16					
	A4	2.76, 7x2.01, 2.87			2.76, 9x2.01, 2.80			2.76, 10x2.20, 2.76			2.76, 12x2.17, 2.76			2.76, 14x2.13, 2.91			2.76, 15x2.24, 2.95					
	A5	8960			11200			12320			14560			16800			17920					
	A6	22800			30400			38000			45600			53200			60800					

A1 : Number of Cylinders A3 : Number of Rollers A5 : Max.Loader per Overall Length (lbs)
 A2 : Cylinder Spacing (inch) A4 : Roller Spacing (inch) A6 : Lifting force per Overall Length (lbs)