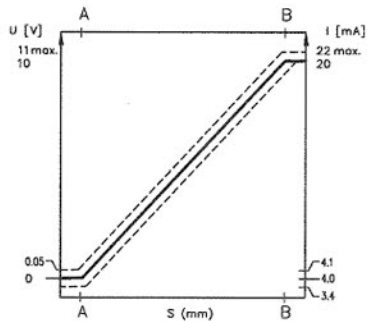
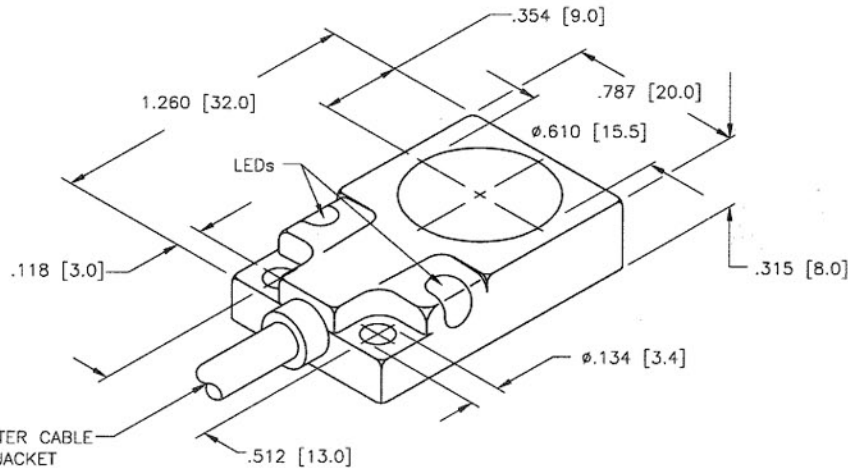
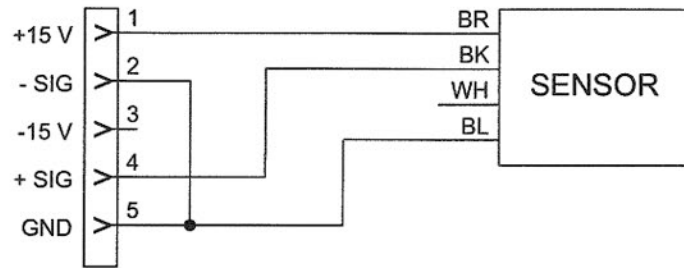


PDP CONNECTOR WIRING



SPECIFICATIONS

MEASURING RANGE [A...B]	1.0-4.0 mm
MIN. REPEAT ACCURACY	≤1% OF MEASURING RANGE [A-B] ≤0.5%, AFTER A HEATING PERIOD OF 0.5 H
REPRODUCIBILITY	≤40 μm ≤20 μm, AFTER A HEATING PERIOD OF 0.5 H
LINEARITY TOLERANCE	≤ 3% OF FINAL VALUE
MAX. RELATIVE TEMPERATURE DRIFT	≤ ±0.06%/C°
OPERATING TEMPERATURE	-10°C to +70°C (-14°F to +158°F)
OPERATING VOLTAGE	15-30 VDC
RIPPLE	≤10%
NO-LOAD CURRENT	≤ 8 mA
RATED INSULATION VOLTAGE	≤ 0.5 kV
OUTPUT FUNCTION	4-WIRE, ANALOG
SHORT-CIRCUIT PROTECTED	YES
WIRE-BREAK PROTECTION	INCORPORATED
VOLTAGE OUTPUT	0-10 V
CURRENT OUTPUT	4-20 mA
VOLTAGE OUTPUT LOAD RESISTANCE	≥ 4.7 kΩ
CURRENT OUTPUT LOAD RESISTOR	≤ 0.4 kΩ
READING RATE FREQUENCY	200 Hz
HOUSING MATERIAL	METAL, GD-Zn
ACTIVE FACE	PLASTIC, PA12-GF30
CABLE/JACKET MATERIAL/LENGTH	φ5.2, PVC, 2.0 METERS
VIBRATION RESISTANCE	55 Hz (IN ALL 3 PLANES)
SHOCK RESISTANCE	30 g, 11 ms
DEGREE OF PROTECTION	IP 67

RELATED DOCUMENTS 1. 2. 3. 4.	3RD ANGLE PROJECTION		THIS DOCUMENT IS PROPERTY OF TURCK INC. USE OF THIS DOCUMENT WITHOUT WRITTEN PERMISSION IS PROHIBITED.	DESCRIPTION		
				DRFT	RDS	DATE 11/30/04
				DSGN	SCALE NONE	
	MATERIAL	TOLERANCES UNLESS OTHERWISE SPECIFIED		UNIT OF MEASUREMENT		IDENTIFICATION NO.
FINISH	.X ±0.02 .XX ±0.01 .XXX ±0.005 ANGLES ±1° ALL MILLIMETER DIMENSIONS ARE REFERENCE ONLY	INCH [MILLIMETER]		Honeywell P/N 4331401	B	
B DRAWING RELEASE	RDS 11/30/04	DO NOT SCALE THIS DRAWING		FILE: M1534605	SHEET 1 OF 1	
REV DESCRIPTION	Instruction Sheet - 1129300 DA70878	BY	DATE	ECO NO.		