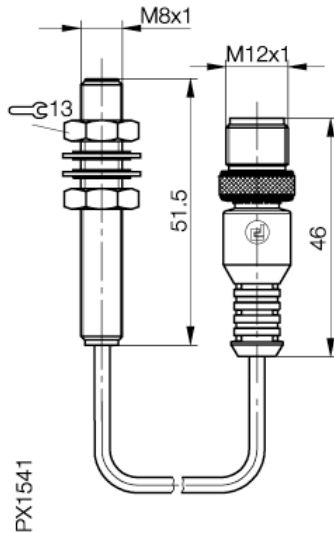


WAW MO8EI-UAD15B-BPOO,2-GSO4
Inductive Distance Sensors

WINTRISS M8 ANALOG PROXIMITY
SENSORS

Working range 0,5...1,5 mm
Output signal 0...10 V



Electrical data:

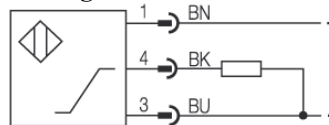
Connection connector	.2 m cable with
Rated operational voltage	24 vdc
No load supply current	8 mA
Switching element function	0 – 10 V
Supply voltage max	30 V
Supply voltage min	15 V
Temperature compensation	no
Linear range	.5 – 1.5 mm
Non-linearity	± 3 μm

General data:

IP rating	67
Polarity protection	yes
Linearity midpoint	1 mm
Mounting	flush mountable
Temperature range	-10C – 70C
Sensing face	PBTP
Steel Housing	Corrosion resistant
Repeatability	3%
Response time	1 ms

Contact:
 Production Resources
 800-863-3164

Wiring:



Pinout:

