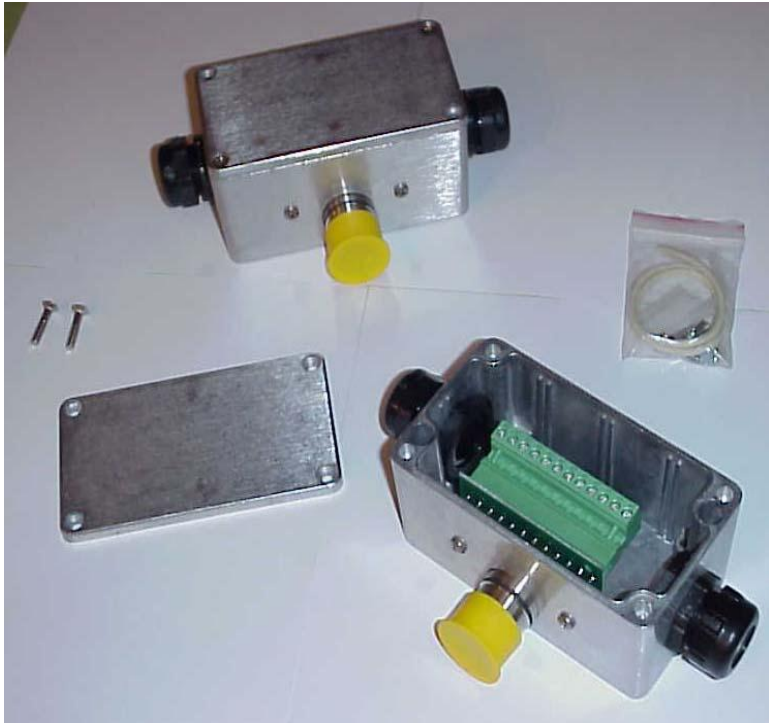
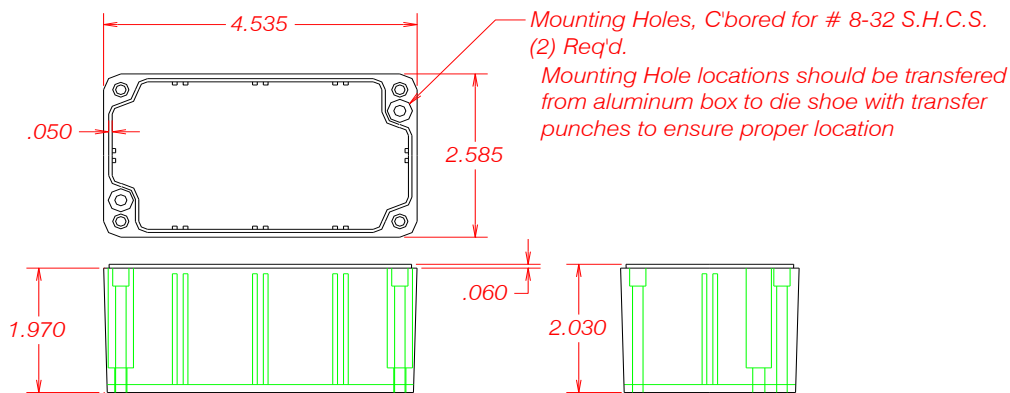


HD19-IDB DIE MOUNTED SENSOR INTERCONNECTION BOX



This product is intended to mount on the die shoe and allow a maximum of eight sensors to wire directly to it. The terminal block on the inside features a removable connector for easy wiring. The external mating connector is compatible with Wintriss HD19 cables for connection to Wintriss DSI2 sensor interface. The cover plate is provided with a urethane rope gasket to protect the wiring from oil. Each end is fitted with a multi conductor cable grip designed to accommodate up to four 4 mm diameter sensor cables. Unused holes may be plugged. Order part # HD19-IDB.

**Price each: \$400. Availability: 1-4 weeks depending on quantity:**



*Cast Aluminum Box for HD19 Kit  
Comes complete with fasteners to secure  
Cover plate to box, and urethane rope gasket to  
seal cover plate water/oil tight*