



- Power Presses
- In Die Lubrication
- Conveyors
- Die Protection/Press Automation
- OSHA Compliant Controls & Safeguards
- Coil Handling & Feeding Equipment
- Quick Die Change
- Servo Transfer Systems

**Serving: OH, PA, KY, TN, MS, AL, & FL Contact: Chris Jones—615-714-1000**

### PRESSES

**SEYI** – Tie rod, mono block, & transfer straight side presses. Single point gap frame machines. Mechanical and the latest **servo press technology** available.

**BENCHMASTER** – Light tonnage bench presses.

### SHEARS

**COLT AUTOMATION** – Production and squaring shears

### FEEDS

**COLT AUTOMATION** – Electronic roll feeds & Feeder/Straightener combinations

### SPACE SAVER FEED LINES

**COLT AUTOMATION**—full Feed Line capabilities within a smaller footprint—includes decoiler/straightener/feeder.

**RAPID AIR** – Light and medium duty air and servo feeds.

**PRE- PRESS ROOM EQUIPMENT**—Affordable air and servo's

### QUICK DIE CHANGE SYSTEMS (QDC)

**GREEN VALLEY** – Die carts , Die racks, Bolster extensions, T-tables, die handlers, & Pneumatic die lifters

**PASCAL** – Hydraulic clamps, die lifters, bolster extensions.

**OPTIMA** – Mechanical & hydraulic clamps, die transfer systems

### COIL PROCESSING EQUIPMENT

**COLT AUTOMATION**— Feeds, Reels, Straighteners, Cradles, Cut to length lines,

**RAPID AIR** – Reels, Straighteners, Pallet decoilers.

**ACCRA WIRE** – Heavy duty pallet decoilers..

**PRESS ROOM EQUIPMENT**— Value priced reels, straighteners, cradles & choppers

**CALDWELL** – Coil hooks, lifters, & upenders

**COIL-TEK** – Ultra-Sonic loop controls & rewind systems

### TRANSFER SYSTEMS & UNLOADERS

**SYRON/NORGREN**- Transfer fingers, Sensors, & Suction cups

**BACHHUBER** – Mechanical & servo press unloaders

**LINEAR TRANSFER AUTOMATION**—In die servo and press to press programmable transfer systems. Destackers, Automation.

### HYDRAULIC SHOCK DAMPERS

**W-TECHNOLOGIES** - Prevent snap-thru and reverse shock loads.

### SHOCK, VIBRATION, & LEVELING MOUNTS

**VIBRO DYNAMICS** – Press mounts

**UNISORB** – General purpose machinery mounts

### SAFETY EQUIPMENT FOR OSHA/ANSI COMPLIANCE

#### **SHADOW LIGHT CURTAINS**

**WINTRISS** – Clutch/brake controls

**LINEAR** - Hydraulic Press Control Upgrades

### SAFETY EQUIPMENT FOR OSHA/ANSI COMPLIANCE

**ROCKFORD SAFETY**- Laser scanners for area safeguarding. Hand tools, Riveter & spot welder guarding devices

**MILLEREDGE** – Pressure sensitive safety mats.

**PROTECH** – Restraints, Press brake guarding & Safety blocks.

**DIE SAFETY BLOCKS**- Wedge and adjustable styles

**WIRECRAFTERS** – Woven & welded wire perimeter guards.

**LAZERSAFE**- Safeguarding for hydraulic press brakes

**PAX DIE DOORS** - Safeguards and lubricant containment

### AUTOMATION—

**LINEAR** turnkey automation project & aystems integration

### LUBRICATION SYSTEMS

**PAX** – Airless and roller coater stock lubrication systems. Filter and exhaust systems

### DATA COLLECTION /OEE MONITORING

**ShopFloorConnect** – software & machine interfaces to collect production, setup, downtime & overall equipment effectiveness information from production machinery.

### PRESS AUTOMATION CONTROLS

**WINTRISS** – SmartPAC Pro Press Automation Controls

**AutoSET 1500** – Tonnage Monitors.

**RAMPAC** – Shut height and counterbalance controls.

**ProPAC** – In-Die measurement quality control system.

**DiPRO 1500** – Die protection systems

**LINEAR** —Mechanical & hydraulic PLC press controls.

**HTM ELECTRONICS**—Die protection sensors - digital & analog proximity & optical

**PRIME CONTROLS**—Double sheet detection

**SYRON/NORGREN** – Thread detection systems

### CONVEYORS & MATERIAL HANDLING

**PAX** – Low profile slug, part and scrap conveyors. Drum motor and oscillating (EGD shaker conveyors)

**NEW LONDON** – Steel hinge & wire mesh belt conveyors.

**DORNER** – Low profile belted conveying systems. LPZ adjustable angle conveyors.

**MPI** – Beltless shaker slug conveyors, magnetic slider bed, and magnetic belted conveyors

**SOUTHWORTH**— Lift tables, upenders, turntables, container tilters, stackers, & pallet handling equipment.

**CALDWELL**—Coil hooks, web & wire mesh below hook lifters, vacuum lifters, booms, and beams.

## CONCRETE & STEEL CONSTRUCTION

**DELTA INDUSTRIAL**— Foundations, press pits, coil loop pits, steel mezzanines, concrete flat work, machinery installations.

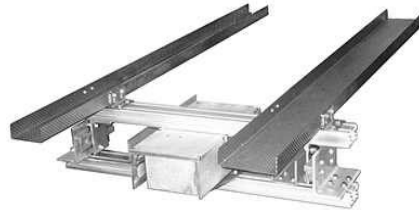
## SERVICES

- **TURNKEY INSTALLATIONS**
- **IN PLANT TRAINING SEMINARS**
- **DIE PROTECTION CONSULTATION**
- **OSHA COMPLIANCE SURVEYS**
- **RISK ASSESSMENT**
- **LOAD MONITOR CALIBRATIONS**
- **APPLICATION ASSISTANCE**
- **ROI & BREAKEVEN ANALYSIS**

### **WINTRISS CONTROLS**



### **MPI PNEUMATIC & ELECTRIC SHAKER CONVEYORS**

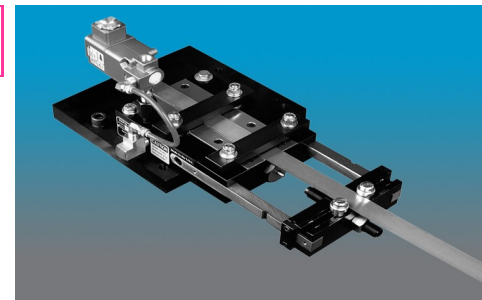
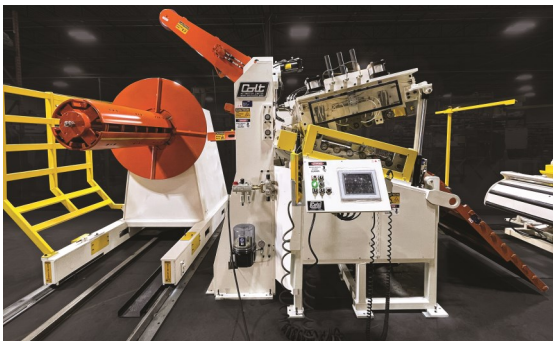


### **PAX IN DIE LUBRICATION SYSTEMS**



### **RAPID AIR FEEDS, REELS, & STRAIGHTENERS**

### **COLT AUTOMATION COIL HANDLING AND FEEDING SYSTEMS**



### **DORNER LOW PROFILE CONVEYORS**

**Helping You Get It Done, Today.**

Your number one resource for:

- Conveyors
- Application Expertise
- Engineering Assistance
- Installation
- Service



### **SEYI STRAIGHTSIDE & GAP MECHANICAL, LINK MOTION, AND SERVO PRESSES**

**Your local contact is Chris Jones - 615-714-1000**  
**Production Resources Main Office (800)863-3164**  
**E-mail: sea-jay@pri-mailbox.com \* sales55@pri-mailbox.com**