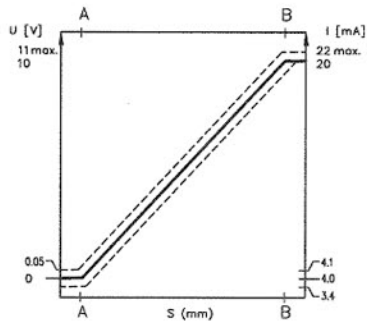
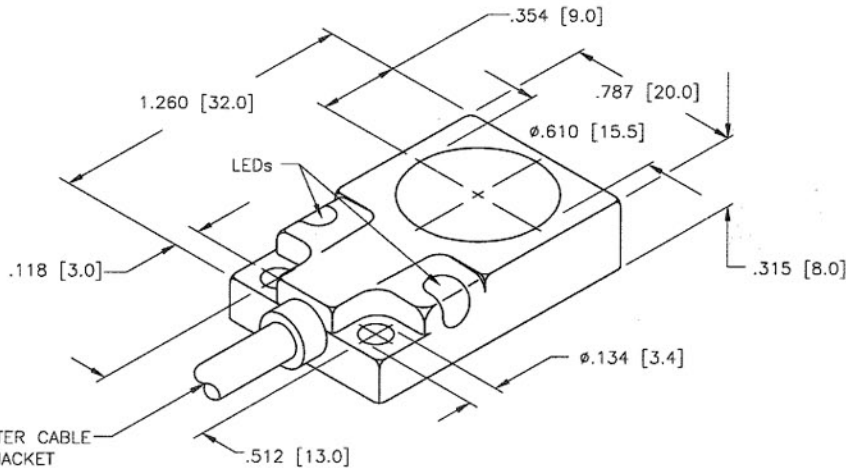
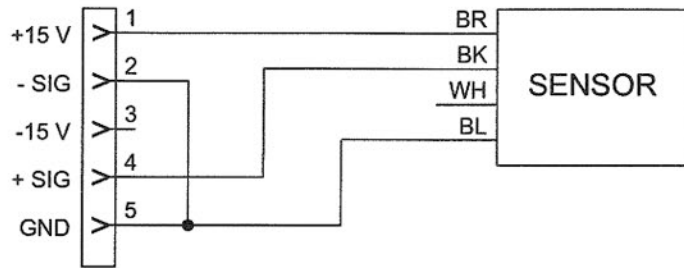


PDP CONNECTOR WIRING



SPECIFICATIONS

MEASURING RANGE [A...B]	1.0-4.0 mm
MIN. REPEAT ACCURACY	≤1% OF MEASURING RANGE [A-B] ≤0.5%, AFTER A HEATING PERIOD OF 0.5 H
REPRODUCIBILITY	≤40 μm ≤20 μm, AFTER A HEATING PERIOD OF 0.5 H
LINEARITY TOLERANCE	≤ 3% OF FINAL VALUE
MAX. RELATIVE TEMPERATURE DRIFT	≤ ±0.06%/C°
OPERATING TEMPERATURE	-10°C to +70°C (-14°F to +158°F)
OPERATING VOLTAGE	15-30 VDC
RIPPLE	≤10%
NO-LOAD CURRENT	≤ 8 mA
RATED INSULATION VOLTAGE	≤ 0.5 kV
OUTPUT FUNCTION	4-WIRE, ANALOG
SHORT-CIRCUIT PROTECTED	YES
WIRE-BREAK PROTECTION	INCORPORATED
VOLTAGE OUTPUT	0-10 V
CURRENT OUTPUT	4-20 mA
VOLTAGE OUTPUT LOAD RESISTANCE	≥ 4.7 kΩ
CURRENT OUTPUT LOAD RESISTOR	≤ 0.4 kΩ
READING RATE FREQUENCY	200 Hz
HOUSING MATERIAL	METAL, GD-Zn
ACTIVE FACE	PLASTIC, PA12-GF30
CABLE/JACKET MATERIAL/LENGTH	ø5.2, PVC, 2.0 METERS
VIBRATION RESISTANCE	55 Hz (IN ALL 3 PLANES)
SHOCK RESISTANCE	30 g, 11 ms
DEGREE OF PROTECTION	IP 67

RELATED DOCUMENTS 1. 2. 3. 4.	3RD ANGLE PROJECTION	THIS DOCUMENT IS PROPERTY OF TURCK INC. USE OF THIS DOCUMENT WITHOUT WRITTEN PERMISSION IS PROHIBITED.	DATE 11/30/04		DESCRIPTION Analog Prox - Flat Pack	
			DRFT	RDS		SCALE NONE
			UNIT OF MEASUREMENT INCH [MILLIMETER]			IDENTIFICATION NO. Honeywell P/N 4331401
	MATERIAL		TOLERANCES UNLESS OTHERWISE SPECIFIED .X ±0.02 .XX ±0.01 .XXX ±0.005 ANGLES ±1° ALL MILLIMETER DIMENSIONS ARE REFERENCE ONLY	DSGN		FILE: M1534605
FINISH		DO NOT SCALE THIS DRAWING				

B	DRAWING RELEASE	RDS	11/30/04	
REV	DESCRIPTION	BY	DATE	ECO NO.
	Instruction Sheet - 1129300		DA70878	