

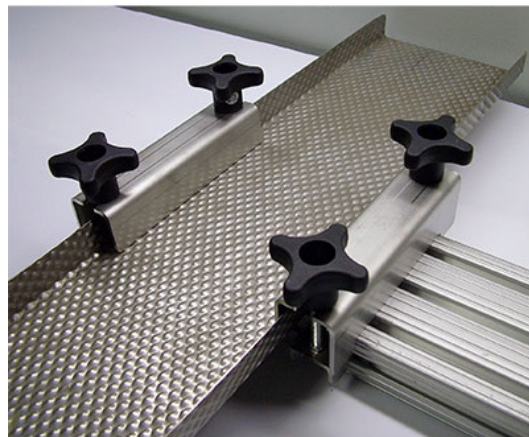
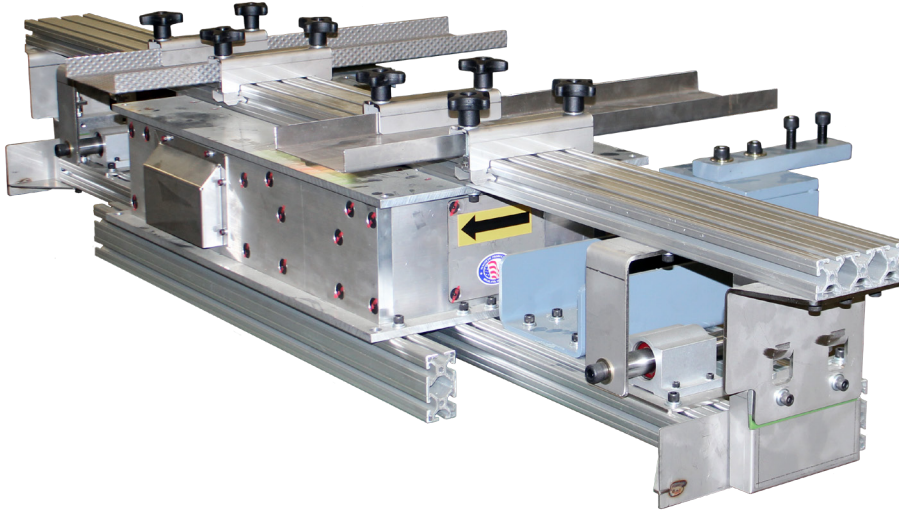


Magnets | Material Handling  
Electronic Inspection | Service

# Press Mounted Multi Pan System Electric Shaker Conveyor

Series: M-200 Rack and Pinion System  
168" Maximum Crossbar Electric Shaker

Patent: #US-008,752,695-B2



**Quick Release Pan Mount Bracket Accessory**

## The Most Reliable Solution to Stay Up and Running

- MPI patented electric shakers are the most reliable scrap removal conveyor available. They deliver years of dependable service and have a modular design, so if something does go wrong, you can get back up and running quickly.

## Exclusive Rack & Pinion Design

- Most large electric scrap shakers fail because they cannot handle the uneven pan loads, which are required for stamping applications. MPI's exclusive rack and pinion design delivers an even load to the drive no matter how lopsided your pan setup needs to be for your die. This results in years of reliable service without downtime, even on the largest press applications. *(Note: for any press applications over 168" wide, MPI will supply two evenly sized systems that cover the width required.)*

## Easy Installation

- Plug and play design slides into 2 or 4 t-slots on the press, locks down by tightening a bolt and plug into a standard 110V plug.

## Optional Cart for Quick Changeover

- An optional cart with casters and adjustable height enable to system to be easily moved around the pressroom and adapt to different die heights.

## Quick-Release Pan Mount Brackets

- Optional Quick-Release Pan Mount Brackets make it easy to add, remove and slide pans on the extrusion when setting up for a new die.

## Extremely Efficient

- A compact electric motor drives the scrap conveyor. Compared to previously used pneumatic designs, the electric design can reduce operating costs by 71%.

## Heavy-Duty Billet Aluminum Construction

- The press room can be an abusive environment for equipment. Our electric scrap shakers are built with heavy duty 1" thick aluminum billet construction that is lightweight for the drive, but strong enough to stand up to anything in the press room, except a die being dropped on it.

## Easy to Reverse Direction of Travel

- The scrap shaker can easily reverse direction of travel for the scrap by unmounting, turning 180 degrees and remounting.

## Quiet Operation

- Noise compounds in the press room, and you do not need your scrap system adding to the overall noise. The electric shaker runs almost silently, allowing operators to focus on their work.

## No Air or Lubrication Required

- The electric drive saves on maintenance and compressor operating costs when compared to pneumatic design.

## Simple On/Off Switch to Operate

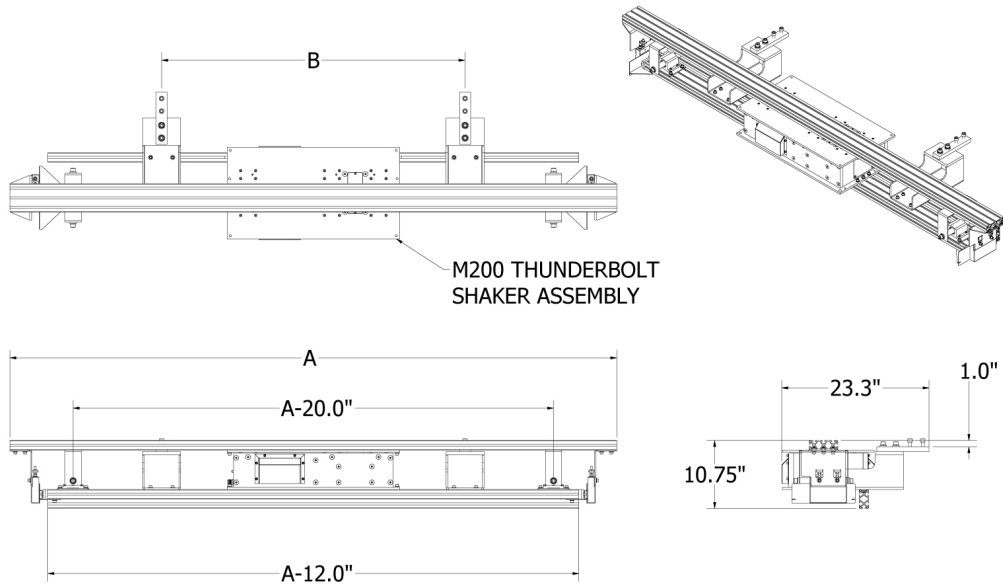
- The scrap shaker features a simple on/off switch located on the side of the unit to turn it on and off.

## Excellent Service and Support

- MPI understands that if these systems are not running, you cannot run your press. Should the unexpected occur, MPI has spare units on the shelf, a repair program and a 24/7 number so you can know you can reach us even if it is 2am on a Sunday.

\*Specifications subject to change

Series: M-200 Rack and Pinion 168" Maximum Crossbar Electric Shaker Version 1.0 © MPI



## M-200 Electric Shaker Conveyor Specifications

Model Number	Crossbar Width	Power Input	Design Capacity (Pans and Scrap)	System Weight	T-Slot Sizes	Rack & Pinion System Included	Number of Bolster Mounts	Quick Release Pan Mount Bracket Accessory
M-200 Motor Only	Not included	110 VAC, single phase	200 lbs.	165	Not included	No	2	Not included
M-200-MP4 48"	48"	110 VAC, single phase	200 lbs.	175	3/4" Thick x 1.75" wide	No	2	Not included
M-200-MP5 60"	60"	110 VAC, single phase	200 lbs.	188	3/4" Thick x 1.75" wide	No	2	Not included
M-200-MP6-RP	72"	110 VAC, single phase	200 lbs.	236	3/4" Thick x 1.75" wide	Yes	2	Not included
M-200-MP7-RP	84"	110 VAC, single phase	200 lbs.	245	3/4" Thick x 1.75" wide	Yes	2	Not included
M-200-MP8-RP	96"	110 VAC, single phase	200 lbs.	254	3/4" Thick x 1.75" wide	Yes	2	Not included
M-200-MP9-RP	108"	110 VAC, single phase	200 lbs.	264	3/4" Thick x 1.75" wide	Yes	2	Not included
M-200-MP10-RP	120"	110 VAC, single phase	200 lbs.	313	3/4" Thick x 1.75" wide	Yes	2	Not included
M-200-MP11-RP	132"	110 VAC, single phase	200 lbs.	322	3/4" Thick x 1.75" wide	Yes	4	Not included
M-200-MP12-RP	144"	110 VAC, single phase	200 lbs.	331	3/4" Thick x 1.75" wide	Yes	4	Not included
M-200-MP13-RP	156"	110 VAC, single phase	200 lbs.	340	3/4" Thick x 1.75" wide	Yes	4	Not included
M-200-MP14-RP	168"	110 VAC, single phase	200 lbs.	350	3/4" Thick x 1.75" wide	Yes	4	Not included
M-200-MP15-RP	180"	110 VAC, single phase	200 lbs.	360	3/4" Thick x 1.75" wide	Yes	4	Not included

## M-200 Electric Shaker Conveyor Options

**Scrap Shaker Trays or Scrap Shaker Pans:** MPI can provide new or replacement shaker pans for your electric shaker for scrap conveying. These can be manufactured from carbon steel, stainless steel, or rigidized carbon steel. Each pan is made to the size required for the specified application or die that is being run.

**Quick Release Pan Mount Bracket Accessory (QRPMB):** Shaker pan should always be securely mounted to the crossbar to ensure proper scrap transfer and protect the pans and motor from damage. MPI Quick Release Pan Mount Bracket Accessory are designed to make adding, removing or moving shaker pan quick and easy for operators in between die changes. Once tightened by hand, the mounting system securely attaches the pan to the crossbar. This metal mounting system does not use any plastic that wears out over time and is lightweight so it does not impact the long term performance of the shaker system. One set is required for each pan. A set includes a left and right hand pan attachment.

- The bracket sizing is based on your mounting cross bar, width of the crossbar correlates to size.
- M-200 Rack and Pinion Electric Scrap Shaker Model uses QRPMB-1.5X3.0 for the 3" extrusion size.

**Wear Pad Kits:** When pans are installed, they can be supported by the bolster. If there are any concerns for wear, uneven surfaces, or insufficient pan support. MPI offers wear pad kits that can be attached to the bottom of the pans. These raise the pan off the bolster and make the wear pad the wear item that can be replaced as needed.

**Carts:** Depending on the setup of the press, the shaker system may need to be moved during die changes or to the opposite side for a different setup. Carts make it easy to roll the press mounted shaker system without the use of a forklift. This also protects the system from any damage that could be caused from the forklift or impacts that may occur during transfer. Carts are designed for each application to match the bolster height required. The shaker system carts can be adjustable in height to adapt as needed for different dies. Typically, these cart systems use the standard T-slot mounts on the rack and pinion system to attach it to the bolster, but quick connect and release systems can be used for quicker changeover when needed.

\*Specifications subject to change

Series: M-200 Rack and Pinion 168" Maximum Crossbar Electric Shaker Version 1.0 © MPI