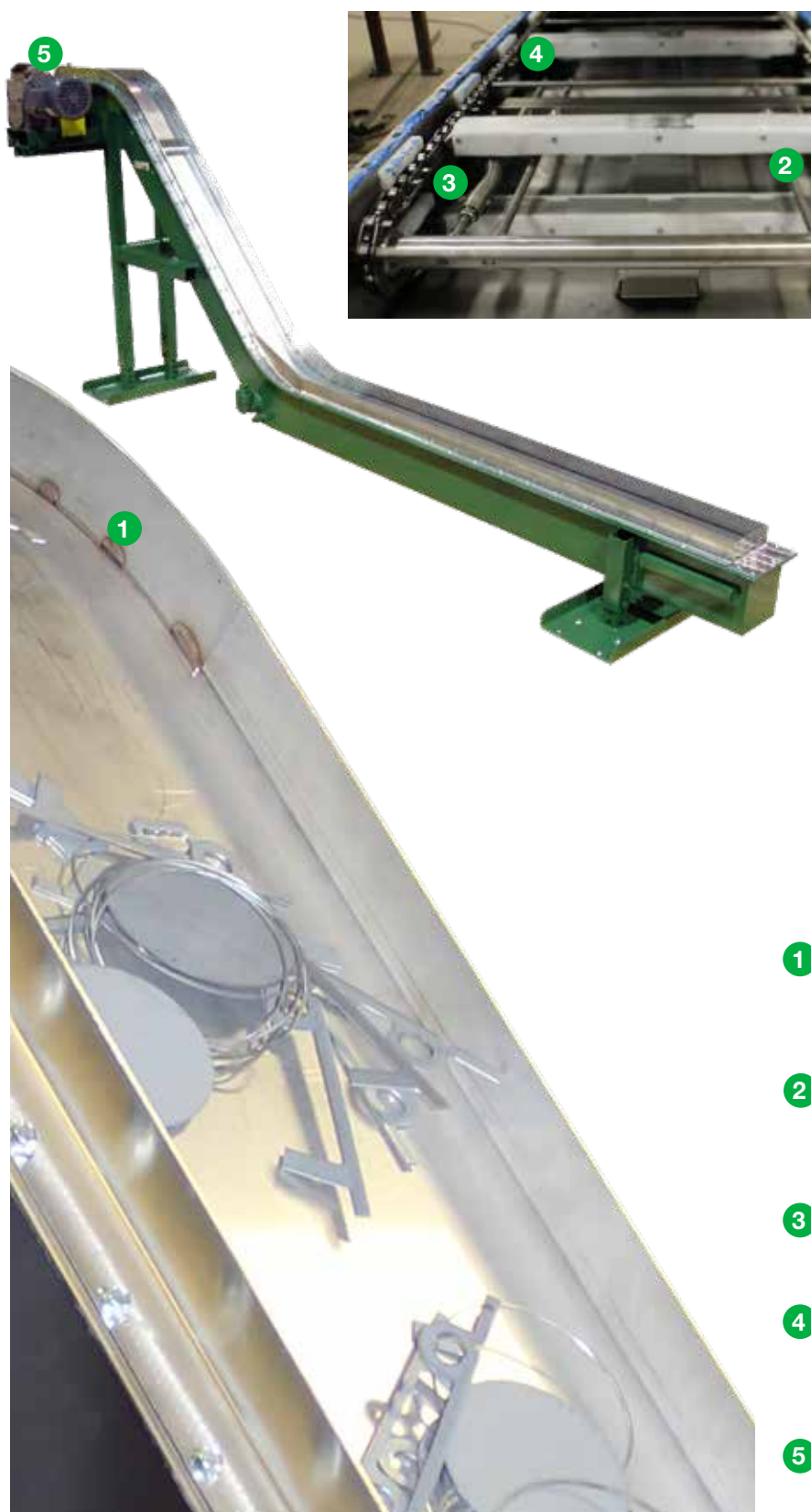




Magnets | Material Handling
Electronic Inspection | Service

Beltless Magnetic Conveyor

Series: BLM



Rugged, reliable and robust, MPI's Beltless Magnetic Conveyors efficiently move ferrous metal, stampings, turnings, chips, fasteners, scrap and more, wherever it needs to go. Powerful permanent magnets, located below a nonmagnetic stainless steel slider bed, transport parts without fail and without downtime, even when faced with the most challenging applications. As the magnets move, objects travel along the conveyor and into a bin for easy removal or transport.

MPI's Beltless Magnetic Conveyors are built for maintenance-free operation. With no external moving components except for the drive motor assembly, the liquid-tight sealed conveyor housing can be totally submerged in machine reservoir tanks. An internal self-adjusting take-up system eliminates the need for time-consuming fine-tuning of mechanics. The conveyor's sealed design prevents scrap from entering and damaging internal components.

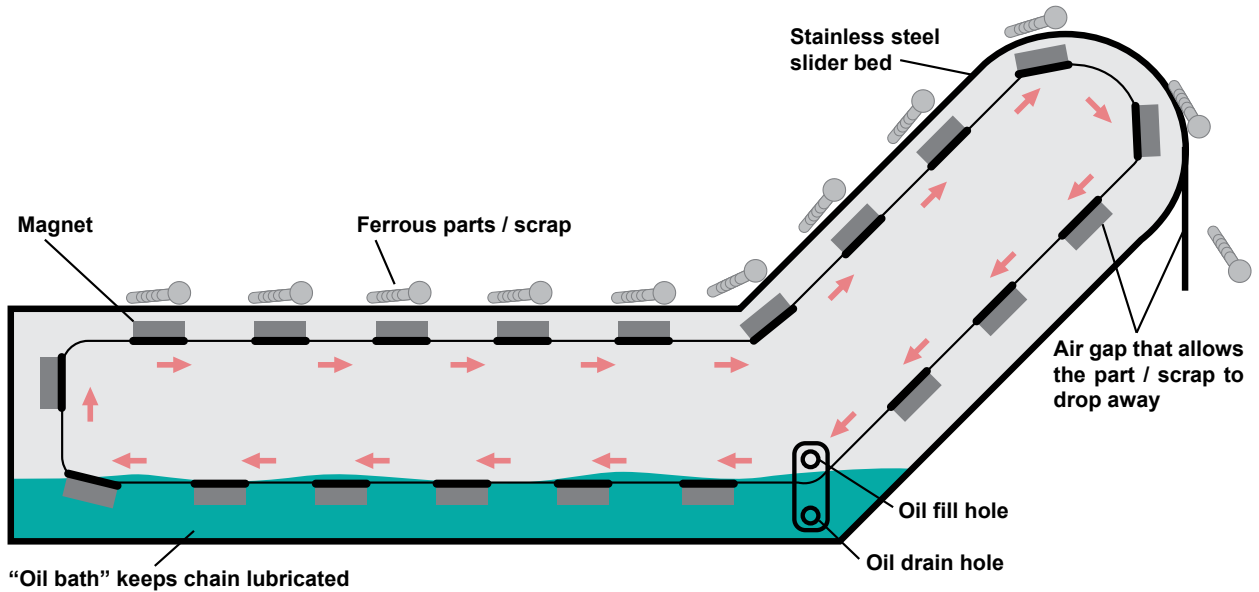
MPI offers BLM conveyors in a variety of sizes with many design options, and can be supplied with ancillary components, such as feeders and hoppers, to provide a complete material handling system. MPI offers complete demolition of old equipment and installation services.

- 1 Wear and impact resistant slider bed – Minimum 12 gauge stainless steel slider bed (7 gauge for over 18" wide or manganese option)
- 2 Optimized for minimal magnetic drag – Magnets enclosed in UHMW wrapper, internal stainless magnet supports and welded stainless motor mount
- 3 Automatic chain tensioning – Internal take-up maintains tension for life of unit and is enclosed to keep debris out of moving parts
- 4 Best in class track system – Welded structural steel angle and stainless in convex and concave (high wear areas) – No UHMW track or laminated light gauge steel channel
- 5 American made drive packages

**Specifications subject to change*

Series BLM Version 4.0 © MPI

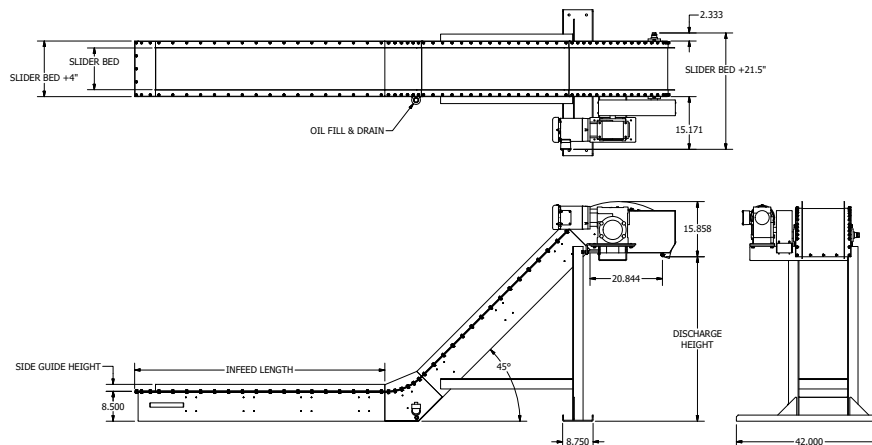
BLM How It Works



BLM Selectable Options

Conveyor Feature	600 Series	800 Series	1200 Series
Body Depth (IN)	6.5	8.5	13.875
Magnetic Capacity	•	••	•••
Magnet Centers	5"+	6"+	8"+
Chain	#2052	#2062	#2082
Body Construction	11 Gauge	11 Gauge	7 Gauge
Standard In-feed Length	30" or larger		
Self Adjusting Take-Up	Included		
Slider Bed Thickness	12 or 7 Gauge depending upon width		
Slider Bed Width	6" to 24"		
Angle of Incline	0 - 90° (15° increments)		
Speed	45 FPM		
Magnet Material	Ceramic (rare earth as required)		

800 Series Dogleg Conveyor



*Specifications subject to change

Series BLM Version 4.0 © MPI

BLM Selectable Options Continued

BLM Series: MPI offers three series of magnetic conveyors. Each larger series has a larger body to accommodate larger magnetic cartridges and heavier duty internal chain designed to handle more difficult scrap or higher scrap rate capacities. MPI will help you select the correct duty for your application.

- 600 Series - 6.5" body depth
- 800 Series - 8.5" body depth
- 1200 Series - 13.875" body depth

Shape Configuration:

- Horizontal straight
- Incline straight nose over
- Dogleg horizontal/continuous radius discharge
- Dogleg nose over
- Incline straight horizontal/continuous radius discharge

Discharge Design:

- **Horizontal (standard)**
- Nose over - recommended for small scrap and compact designs
- Continuous radius - recommended for smooth scrap transfer of long pieces

Infeed Length:

- Minimum infeed length is 30" to as long as required for customer application

Angle of Incline:

- 15°
- 30°
- 45°
- 60°
- 75°
- 90°
- Custom

Discharge Length: The minimum discharge length depends on the discharge design selected. The discharge lengths can be made as long as required for the application.

- Minimum length for nose over discharge design is body width, the shortest design available
- Minimum length for horizontal discharge design is 22"
- Minimum length for continuous radius discharge design depends on the angle of incline, at least 22"

Infeed Height: Floor installation is standard. This will result in the infeed height being the body depth specified by the series selected. Legs can be added for raised infeed heights.

- **Body depth (standard)**
- As specified for the application (legs added)

Discharge Height:

- No standard - as specified for the application

Overall Length:

- Calculated based on configured dimensions and options specified above

Sider Bed Width: Minimum widths are based on series selected. Standard widths are available in increments of 2" from the minimum to a maximum of 24". Overall body width of the conveyor is the slider bed width plus 4".

- 600 series - minimum 6"
- 800 series - minimum 8"
- 1200 series - minimum 12"
- Special - compact design where overall body width of the conveyor is the slider bed width plus 2"

Slider Bed Material:

- Under 18" wide - 12 gauge stainless (standard)
- 18" wide and larger - 7 gauge stainless (standard)
- 7 gauge manganese impact plate for specified length
- 7 gauge manganese impact plate through infeed
- 7 gauge manganese impact plate whole length
- 16 gauge laminated rigidized material on top of standard slider bed to reduce part friction
- 7 gauge manganese impact plate dimpled to simulate rigidized material

Magnet Material: Standard magnets are ceramic and will work for most applications. Testing will determine if rare earth magnets are required to achieve required rate.

- **Ceramic (standard)**
- Ceramic with REN rare earth sweepers to break potential surges
- High capacity REN rare earth with stainless steel body to reduce drag

Magnet Centers: Mechanical color coded flags move with drawer and indicate drawer position

- 600 series - Minimum 5" centers
- 800 series - Minimum 6" centers
- 1200 series - Minimum 8" centers

Side Guides:

- **2" tall, 90° from slider bed (standard)**
- Custom
- Zero radius guides for thin conveyed material

Drive Package:

- **US Manufactured Baldor TEFC (standard)**
- Customer Specified

Drive Package Location:

- **Offset drive (standard)**
- Underhead chain drive
- Overhead chain drive

Motor Location (looking in direction of product travel):

- **Right (standard)**
- Left

Power Input:

- **230/460/3 Phase/ 60 Hz (standard)**
- 110/ 1 phase
- 575/ 3 Phase

BLM Selectable Options Continued

Conveyor Speed:

- Gear reducer for 45 FPM constant speed (standard)
- Customer speed as specified based on testing

Paint:

- MPI green (standard)
- MPI light gray
- Customer specified

Oil Fill and Drain Location:

- Located on the same side as the drive package (standard)
- Extended oil fill options available for submerged tank applications
- Custom

Support Legs:

- Fixed position (standard)
- Adjustable position

Infeed Casters:

- Not included (standard)
- "V" wheel
- 5" rigid
- 5" rigid with brake
- 5" swivel
- 5" swivel locking
- 5" swivel locking with brake

Discharge Casters:

- Not included (standard)
- "V" wheel
- 5" rigid
- 5" rigid with brake
- 5" swivel
- 5" swivel locking
- 5" swivel locking with brake (recommended)

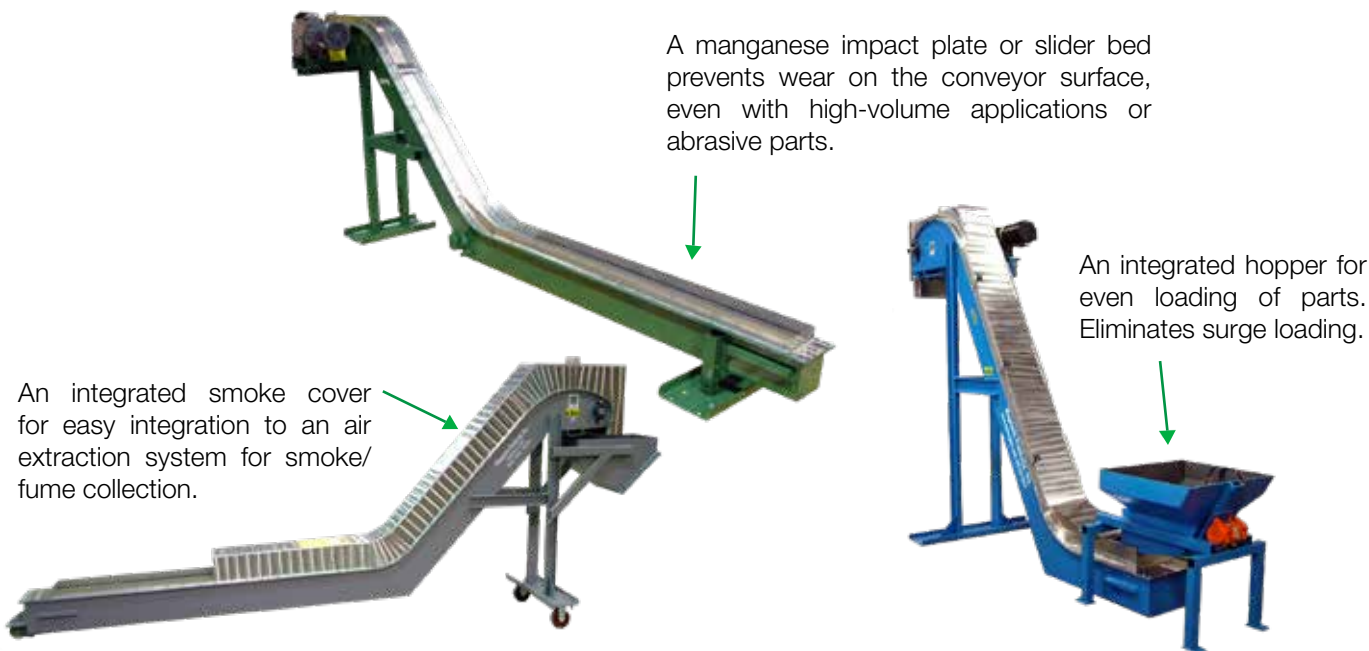
Controls:

- Not included (standard)
- Included as specified

Other Options Include:

- Submerged tank design for filtration or heat treat applications
- Smoke covers for containing smoke generated from hot parts
- Body inspection doors
- Lanes for transferring different parts on the same conveyor or keeping parts and scrap separate
- Coolant collection (or oil) discharge port on infeed
- Liquid tight side guides to contain oil

Custom Options to Consider



*Specifications subject to change

Series BLM 4.0 © MPI